

# Sanitary Sampling Valves



Sanitary  
flow  
equipment

# Rps Available Body

**Standard  
CLAMP 1/2" BS**

Esecuzione H a faccia piana  
*H execution flat face*  
RPS-05AGPAH-XX-31A

Esecuzione T con tubo di sample  
*T execution with sampling pipe*  
RPS-05AHZCT-XX-31A

**Optional  
CLAMP 1" BS**

RPS-05AJZCH-XX-31A

RPS-05AJZCT-XX-31A

**Optional  
fil. gas m.  
3/8" - 1/2"**

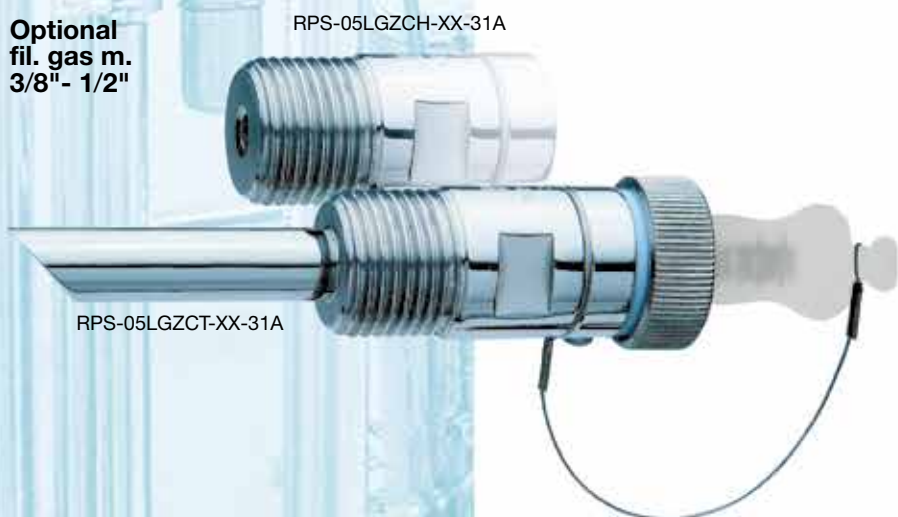
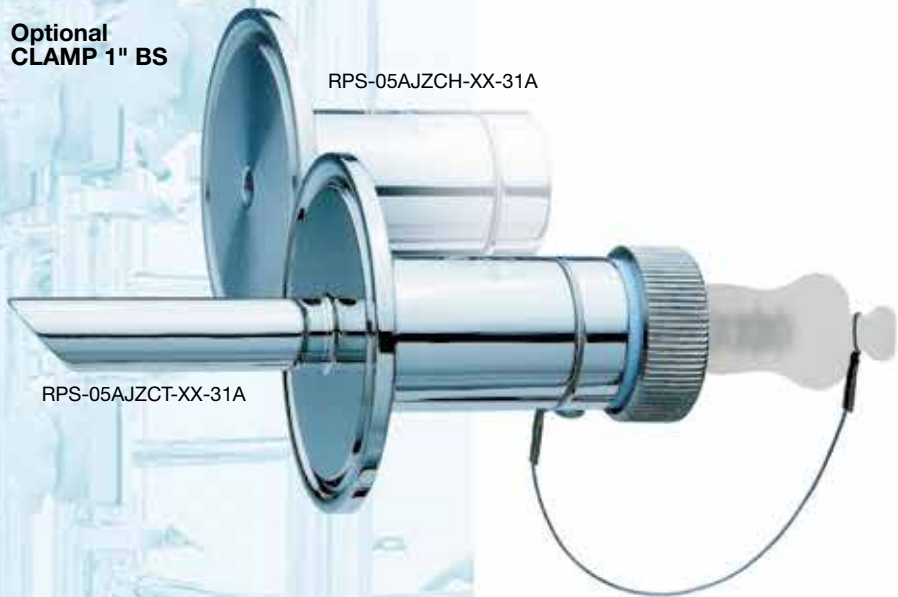
RPS-05LGZCH-XX-31A

RPS-05LGZCT-XX-31A

RPQ-05AGPBH-XX-31A

RPV-05AGZCH-XX-31A

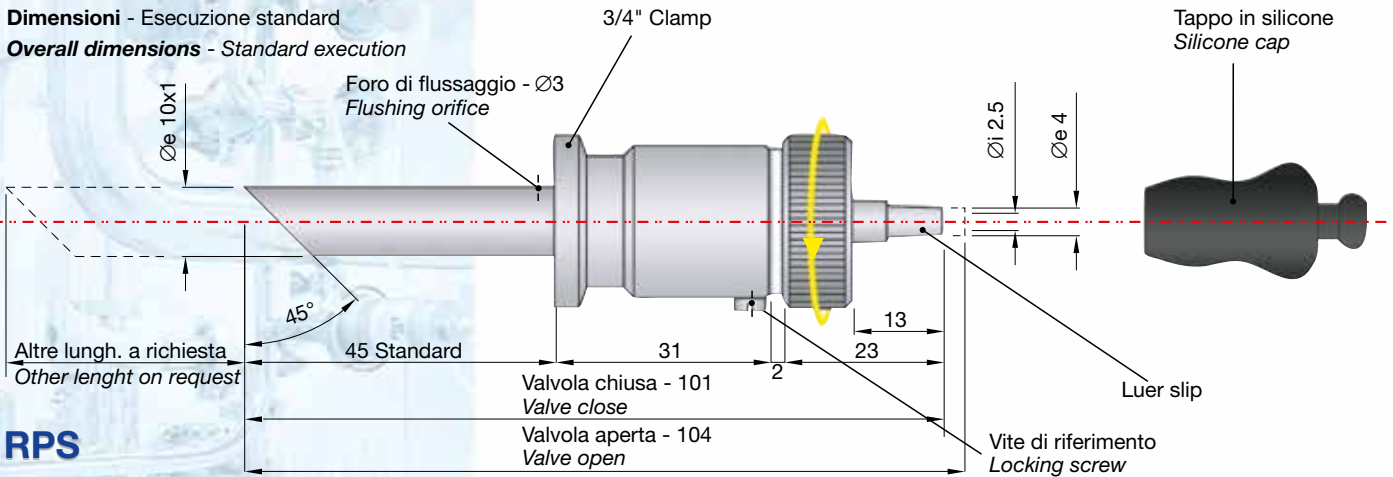
RPV-05AGZGH-XX-31A



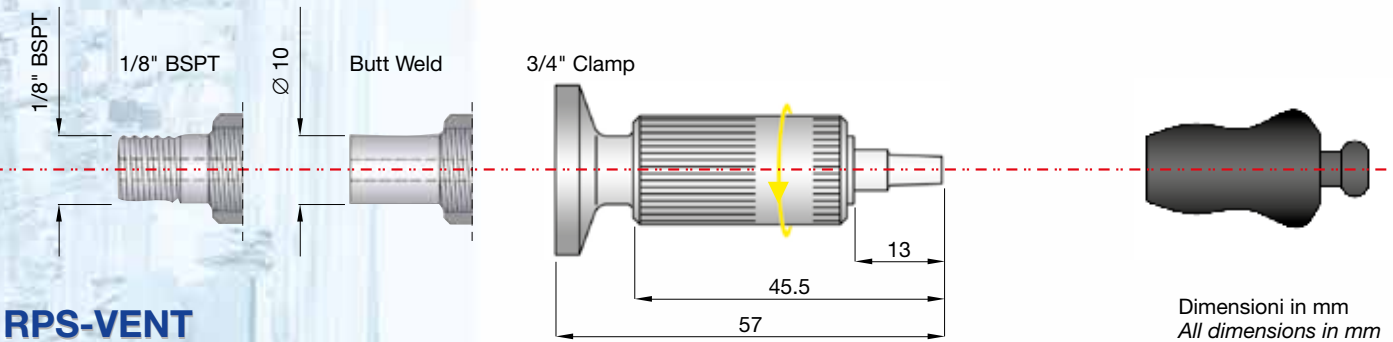
# Presa campione sanitaria

Dimensioni - Esecuzione standard

Overall dimensions - Standard execution



RPS



RPS-VENT

Dimensioni in mm  
All dimensions in mm

## INSTALLAZIONE

In funzione del tipo di connessione, la valvola potrà essere installata con corpo a saldare, clampato o filettato.  
Essendo il senso del flusso unidirezionale, bisogna rispettare l'orientamento della vite di riferimento per un corretto flussaggio del corpo valvola.  
Per qualunque tipo di connessione, installare la valvola con l'uscita luer sull'asse orizzontale, parallelo al pavimento; nel caso di flusso con direzione dal basso verso l'alto, la vite di riferimento dovrà essere posizionata in basso, nel caso invece di flusso con direzione dall'alto verso il basso, la vite di riferimento dovrà essere posizionata in alto.

## INSTALLATION

Depending on the type of connection, the valve may be installed by welding, screwing or clamping the body.  
As the direction of flow is one-way, check the direction of the reference screws to ensure the body valve flow is correct.  
For all types of connection, ensure the luer outlet is horizontal to the valve and parallel with the floor.  
If flow is vertically upwards, the reference screws must be placed at the bottom, while if the flow is vertically downwards, the reference screws must be placed at the top.

## TIPI DI ATTACCHI - SAMPLE CONNECTIONS



LUER SLIP - esecuzione standard  
LUER SLIP - standard execution

ATTACCO RAPIDO - optional  
RAPID CONNECTION - optional

PORTAGOMMA - optional  
RUBBER HOSE - optional

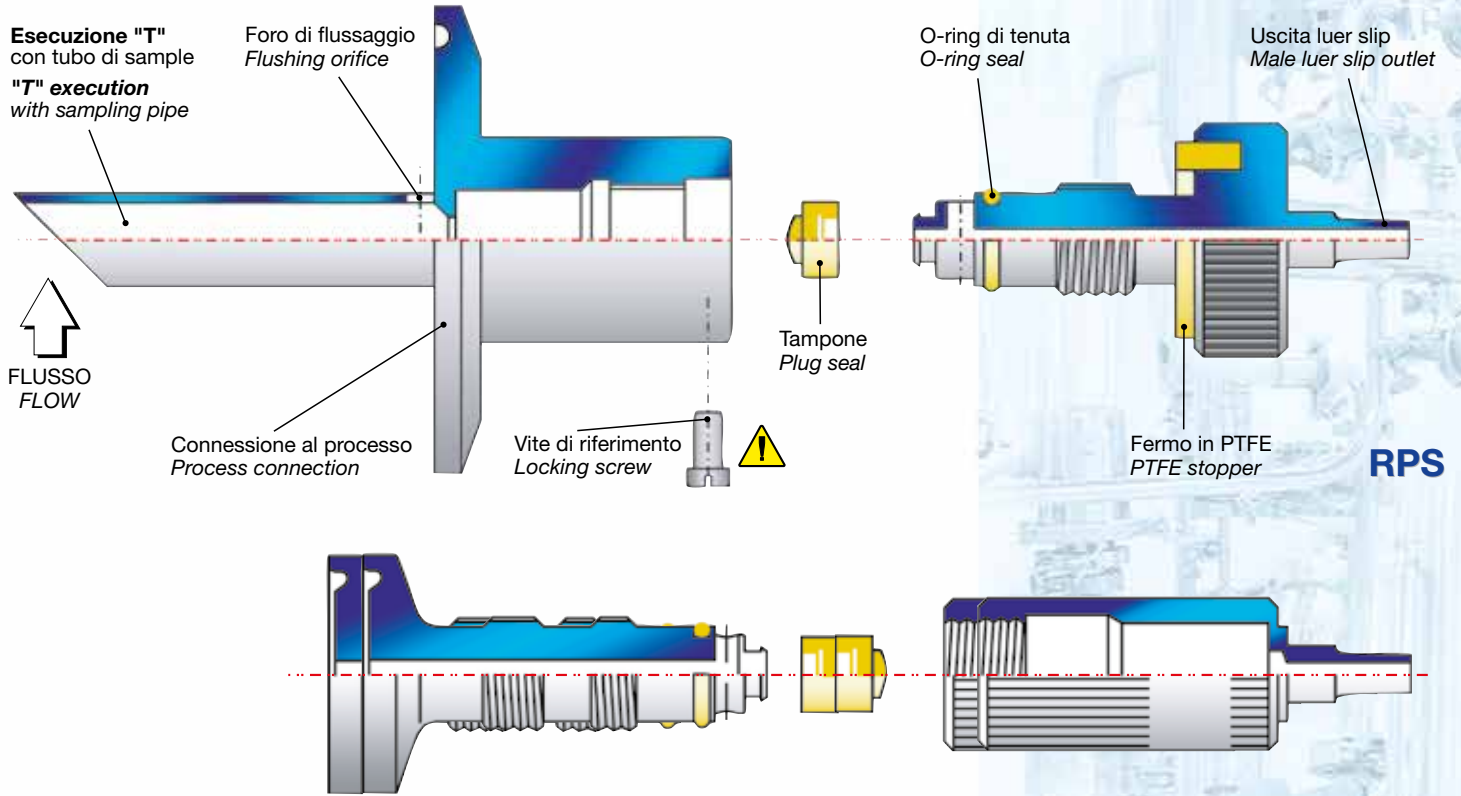
## DOCUMENTAZIONE

Ai fini della tracciabilità dei pezzi per la validazione degli impianti, sono corredate a richiesta da certificati di analisi chimica dei materiali EN 10 204 3.1 certificati di conformità alle normative FDA, strisciate di rugosità.

## DOCUMENTATION

All valves are fully traceable for validation processes.  
Each valves is accompanied by material test certificates EN 10 204 3.1 cGMP standards compliance certificates, FDA regulations compliance certificates, and tapes detailing the valve interior surfaces Ra.

# Sanitary sampling valve



## Ricambi Spare parts

### cod. KPS-05-VV

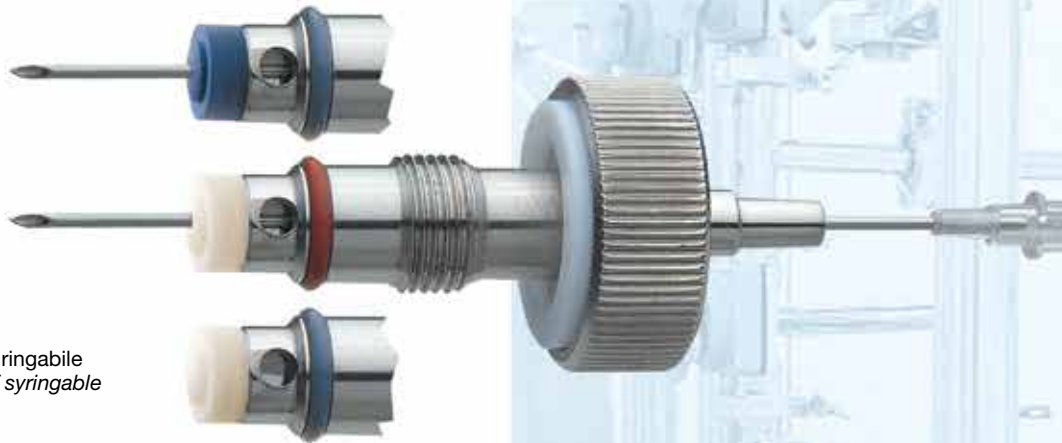
Tamponi e o-ring in FKM - siringabile  
Plug seal and o-ring in FKM - syringable

### cod. KPS-05-XX

Tamponi e o-ring in SILICONE - siringabile  
Plug seal and o-ring in SILICONE - syringable

### cod. KPS-05-TV

Tamponi in TFM PTFE e o-ring in FKM - NON siringabile  
Plug seal in TFM PTFE and o-ring in FKM - NOT syringable



## RPS Ordering information

To specify the part completely, start with the product description and select the additional options as shown below:

	<b>AG</b>	1/2" clamp						
	<b>AJ</b>	1" clamp						
	<b>QC</b>	butt weld						
<b>RPS</b>	<b>LC</b>	1/4" BSP						
<b>RPQ</b>	<b>LE</b>	3/8" BSP	<b>H</b>	flat face				
<b>RPV</b>	<b>LG</b>	1/2" BSP	<b>T</b>	deep tube				
							surface standard finish	
								material AISI 316L 1.4404

<b>RPS 05 AG ZC H XX 31 A</b>	
HOLE	<b>ZC</b> luer slip
	<b>PA</b> rubber hose
	<b>ZG</b> quick connection
	<b>XX</b> silicone seals
	<b>VV</b> Fkm seals
	<b>TV</b> Tfm/Fkm seals

# Sanitary sampling valves

## CHARACTERISTICS

The **RPS** fully autoclavable sampling valves are designed for aseptic sampling of liquids and pharmaceutical products.

Made entirely in **AISI 316L**, the standard version is in the form of a rod with a 1/2" clamp and no welding.

On request, the connection to the process may be modified as indicated.

Easily installed onto distribution lines or onto tanks, this valve can be kept in aseptic conditions between one sample and another by using a silicon cap which closes the "luer slip" outlet. It's special design prevents deposits of bacteria and particles, possibly distorting the results of bacteriological tests carried out while allowing samples to be taken from the middle of the line enabling a representative sample to be taken. Extremely economical and very easy to use, the valve opens by turning the head knurled ratchet in an anticlockwise direction and then clockwise to return it to the closed position.

## TECHNICAL DATA

### MATERIALS

Valve body: **AISI 316L**

Shaft: **AISI 316L**

O-ring: Standard silicone  
Optional FKM, EPDM

Plug: Standard silicone  
Optional FKM or TFMPTE

### MAX WORKING CONDITIONS

Max Pressure: to 10 bar and 150°C

### PROCESS CONNECTIONS

Standard: clamp 1/2" BS

Optional: clamp 1" BS

3/8"-1/2" gas male thread  
butt-weld

### OUTLET CONNECTIONS

Standard: LUER SLIP joint

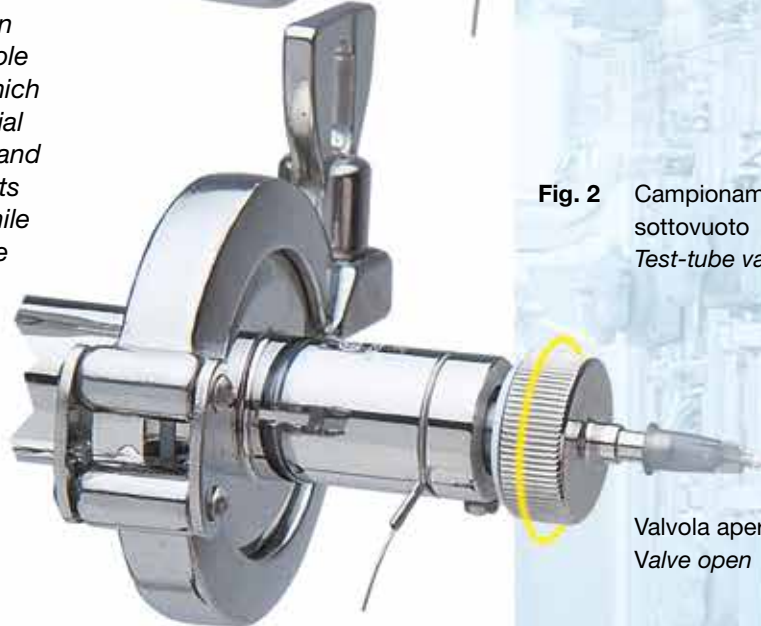
Optional: Rubber hose Ø 6mm  
Rapid connection

# RPS SAMPLING



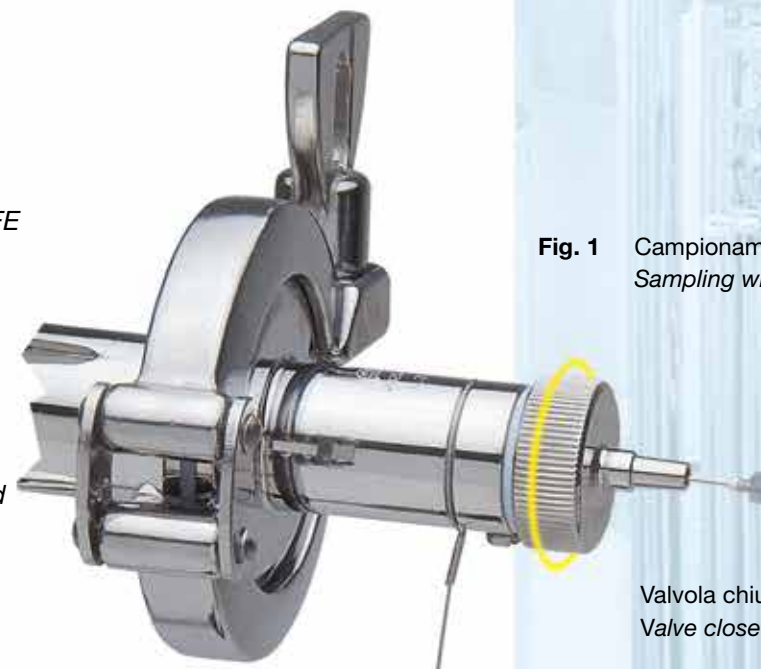
**Fig. 3** Campionamento standard.  
Standard Sampling

Valvola aperta  
Valve open



**Fig. 2** Campionamento in provetta  
sottovuoto  
Test-tube vacuum-sealed sampling

Valvola aperta  
Valve open

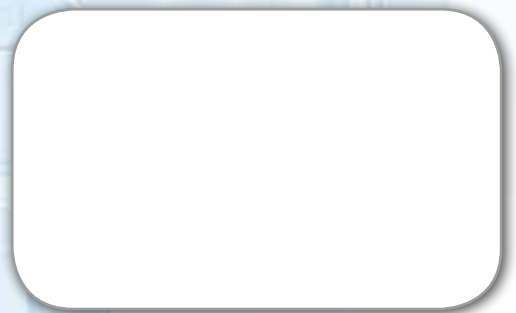


**Fig. 1** Campionamento con siringa  
Sampling with syringe

Valvola chiusa  
Valve close



Sanitary  
flow  
equipment



**AERRE INOX s.r.l.**  
Via Gerola, 4  
I-26010 Fiesco (Cremona)  
Tel. +39 0374 370 828 Fax +39 0374 370 833  
[www.aerreinox.it](http://www.aerreinox.it)

Get the information you need and more at [info@erreinox.it](mailto:info@erreinox.it)